



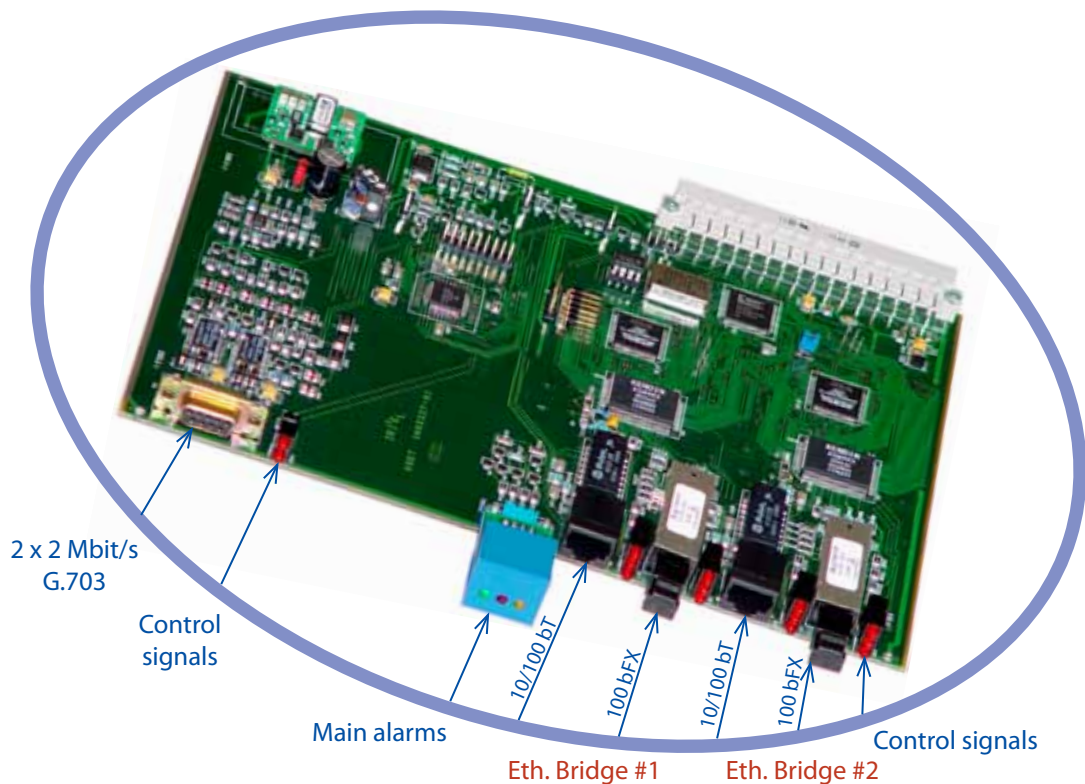
# KGET

## TWO INTERFACE CONVERTORS

### Ethernet over E1

- Two independent Ethernet E1 Bridge
- Provides connection of remote LAN networks with Ethernet 10/100 BaseTX or 100 BaseFX interface via telecommunication network with G.703, 2 Mbit/s interface
- Easy configuration
- Integrated control and monitoring, SUNCE-M

Access Systems



**IRITEL**  
*bright  
connections*

TELECOMMUNICATIONS AND ELECTRONICS  
<http://www.iritel.com> e-mail: [info@iritel.com](mailto:info@iritel.com)

## Applications

The main application of KGET Interface Converter is to connect devices with Ethernet interface through telecommunication network. Any of two Interface Converter realize Ethernet Bridge function or Switch function at layer 2.

## Basic functions

- Two independent Interface Convertors on one unit.
- Any of two Interface Converter realize Ethernet Bridge function with 2048 kbit/s maximum WAN interface capacity.
- At Ethernet side there are two ports: electrical 10/100 BaseTX interface and optical 100 BaseFX interface.
- Electrical Ethernet interfaces are half/full duplex with auto negotiation procedure which define the type of interface 10 or 100 Mbit/s.
- Interface Convertors are transparent for all higher order protocol (TCP-IP, XNS, ISO,...).
- VLAN can be configured for any port independently.
- Support for QoS priority choice according to the port or IEE802.1p
- Synchronization: local clock or external clock from received G.703 signal.
- Loop test possibility.
- Integrated control and monitoring using OLC unit.

## TECHNICAL DATA

### G.703 (2 Mbit/s)

#### Input

Signal type	2048 kbit/s ±50 ppm (HDB3)
Impedance	75 Ω/120 Ω
Cable attenuation	0 to 6 dB at 1024 kbit/s
Input jitter	according to ITU-T G.823
Reflection attenuation	according to ITU-T G.703/9.3

#### Output

Signal type	2048 kbit/s ±50 ppm (HDB3)
Impedance	75 Ω/120 Ω
Impulse level	2,37 V ±0,237 V, 75 Ω 3 V ±0,3 V, 120 Ω
Impulse width	244 ns
Impulse shape	according to ITU-T 15/G.703
Output jitter	according to ITU-T G.823

### Ethernet 10-100 BaseTX

Transport type	duplex
Electrical characteristics	IEEE 802.3
Transmission	symmetrical
Section length (UTP cable class 5)	135 m
Connector	RJ45

### Ethernet 100 BaseFX

	SFP plug-in module
Transport type	duplex
Optical characteristics	IEEE 802.3
Transmission	singlemode optical fibre
Section length	2000 m
Connector	SC

